

PARTS MANUAL

Hydra-Cell[®]

INDUSTRIAL PUMPS

IMPORTANT

Record your pump model number and serial number here for easy reference:

Model No. _____

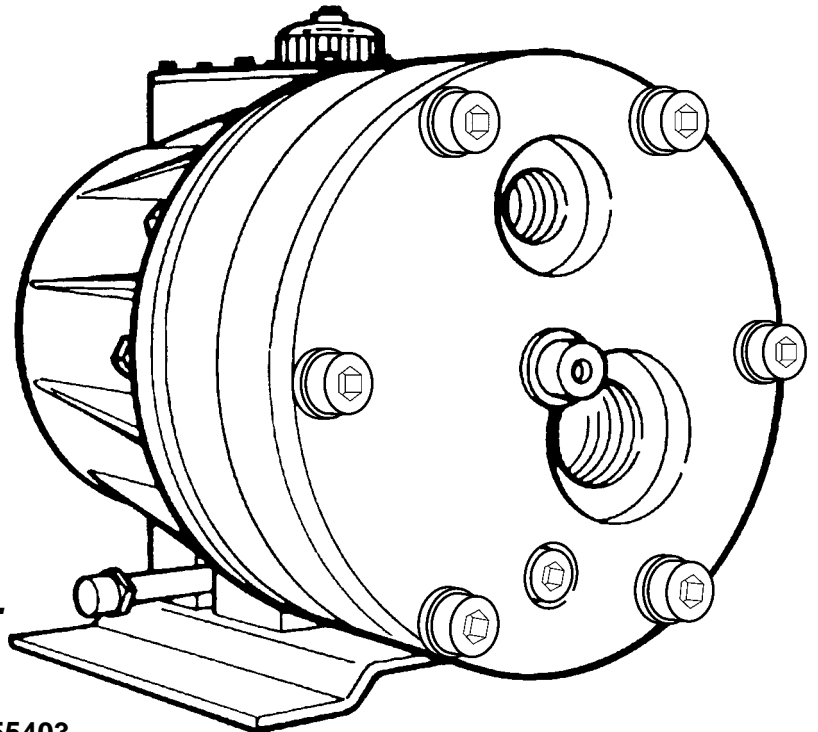
Serial No. _____

Date of Purchase _____

When ordering parts or making inquiries about this pump, please mention the model and serial numbers.

MODEL: G-10-SD

SLURRY DUTY PUMP



WANNER ENGINEERING, INC.

1204 Chestnut Avenue, Minneapolis, MN 55403

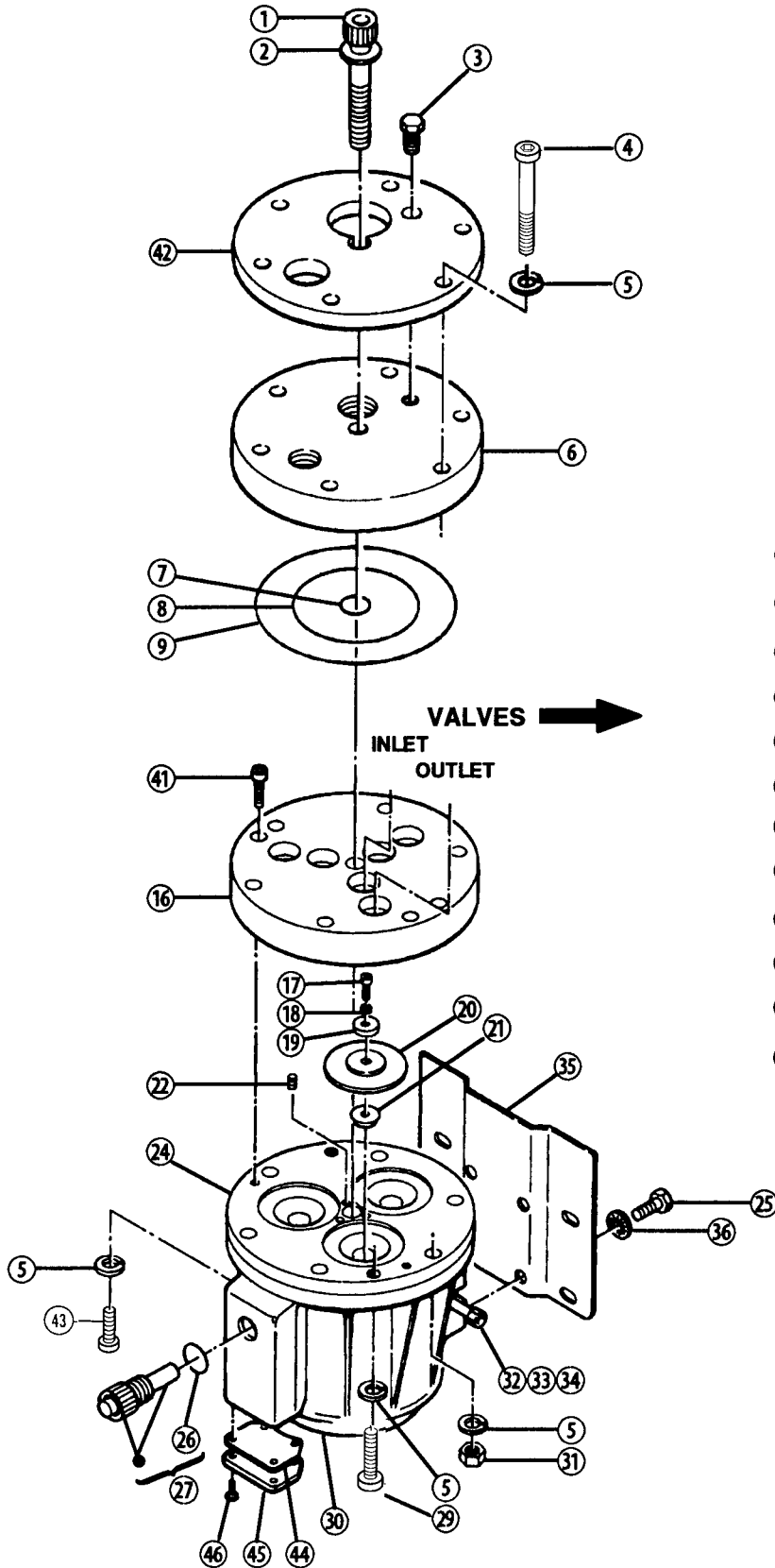
TEL: (612) 332-5681 FAX: (612) 332-6937

TOLL-FREE FAX [US only]: (800) 332-6812

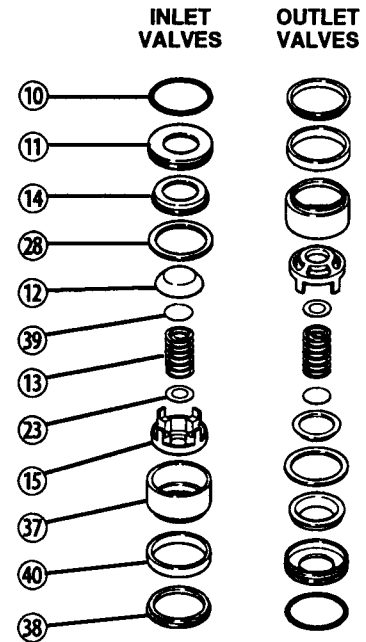
www.hydra-cell.com

email: sales@wannereng.com

G-10-SD Fluid End



Bolt Torque Specifications	
Ref. No.	Assembly Torque
1	45 ft-lbs
4	45 ft-lbs
17	18-20 in.-lbs
25	20 ft-lbs
29	20 ft-lbs



G-10-SD Fluid End

Ref #	Part Number	Description	Quantity/ Pump
1	G10-081-2017	Cap Screw, socket-head, M12 x 100 mm	1
2	G10-084-2010	Washer, flat	1
3	G10-038-2211	Plug, 316 SST	1
4	G10-024-2010	Bolt, socket-head, M10 x 130 mm	6
5	D10-048-2010	Washer, spilt lock, 3/8"	14
6	G10-004-1051	Manifold, Celcon, BSPT port	1
7	D10-083-2110	O-ring, centerbold, Buna	1
	D10-083-2111	O-ring, centerbold, Viton	1
	D10-083-2112	O-ring, centerbolt, Neoprene	1
	D10-083-2113	O-ring, centerbolt, EPDM	1
8	D10-073-2110	O-ring, inner manifold, Buna	1
	D10-073-2111	O-ring, inner manifold, Viton	1
	D10-073-2112	O-ring, inner manifold, Neoprene	1
	D10-073-2113	O-ring, inner manifold, EPDM	1
9	D10-109-2110	O-ring, outer manifold, Buna	1
	D10-109-2111	O-ring, outer manifold, Viton	1
	D10-109-2112	O-ring, outer manifold, Neoprene	1
	D10-109-2113	O-ring, outer manifold, EPDM	1
10	D10-035-2160	O-ring, valve seat, Buna	6
	D10-035-2161	O-ring, valve seat, Viton	6
	D10-035-2162	O-ring, valve seat, Neoprene	6
	D10-035-2163	O-ring, valve seat, EPDM	6
11	D10-020-1020	Valve Seat Holder, 17-4 SST, HT	6
12	D10-021-3300	Valve, ceramic	6
13	D10-022-3125	Valve Spring, Elgiloy (slurry)	6
14	D10-135-2310	Valve Seat, polyurethane	6
15	D10-023-2330	Retainer, valve spring, Celcon (slurry)	6
16	D10-003-1051	Valve Plate, Celcon	1
17	D10-030-2010	Screw, flat-head, SST, 3/8"	3
18	D10-047-2110	O-ring, follower, Buna-N	3
	D10-047-2111	O-ring, follower, Viton	3
	D10-047-2112	O-ring, follower, Neoprene	3
	D10-047-2113	O-ring, follower, EPDM	3
19	D10-017-1010	Follower, 316 SST	3
20	D10-018-2312	Diaphragm, Neoprene	3
	D10-018-2313	Diaphragm, EPDM	3
	D10-018-2315	Diaphragm, Viton (XT)	3
	D10-018-2320	Diaphragm, Buna-N-XS	3
21	D10-016-1010	Plunger	3
22	G10-082-2010	Set Screw, M6 x 1 x 10 mm	3
23	D10-141-2310	Washer, polyurethane	6
24	G10-002-1010	Cylinder Housing	1
	G10-002-1210	Cylinder Housing Assembly, Buna ¹	—
	K10-002-1020	Cylinder Housing, Kel-Cell ²	—
	K10-002-1220	Cylinder Housing Assembly, Buna, Kel-Cell ^{1,2}	—

Ref #	Part Number	Description	Quantity/ Pump
25	G10-029-2010	Cap Screw, socket-head, M10 x 1.5 x 25 mm	4
26	D10-080-2110	O-ring, oil fill, Buna	1
27	D10-039-1210	Cap, oil fill (includes breather & O-ring)	1
28	D10-138-1010	Spacer, 17-7 SST, HT	6
29	G10-087-2010	Cap Screw, hex-head, M10 x 1.5 x 30 mm	1
30	G10-001-1014	Pump Housing ³	1
	G10-001-1215	Pump Housing Assembly ⁴	—
31	G10-028-2010	Nut, hex, M10	6
32	D10-076-2210	Elbow, brass, 1/8"	1
33	D10-077-2210	Pipe, brass, 1/8"	1
34	D10-078-2210	Cap, brass, 1/8"	1
35	D10-025-1010	Base	1
36	D10-054-2010	Washer, shakeproof, 3/8"	4
37	D10-136-1010	Shell, 17-4 SST, HT	6
38	D10-137-1010	Spacer, 17-7 SST, HT	6
39	D10-140-2310	Washer, polyurethane	6
40	D10-139-1010	Crush Seal, UHMW polyethylene	6
41	G10-088-2010	Cap Screw, socket-head, M6	2
42	D10-100-1010	Support, face plate	1
43	G10-029-2010	Cap screw, socket-head, M10 x 1.5 x 25 mm	1
44	D10-106-2310	Gasket, cover	1
45	D10-105-1010	Cover/Nameplate	1
46	G10-090-2010	Screw, M4 x 12	4

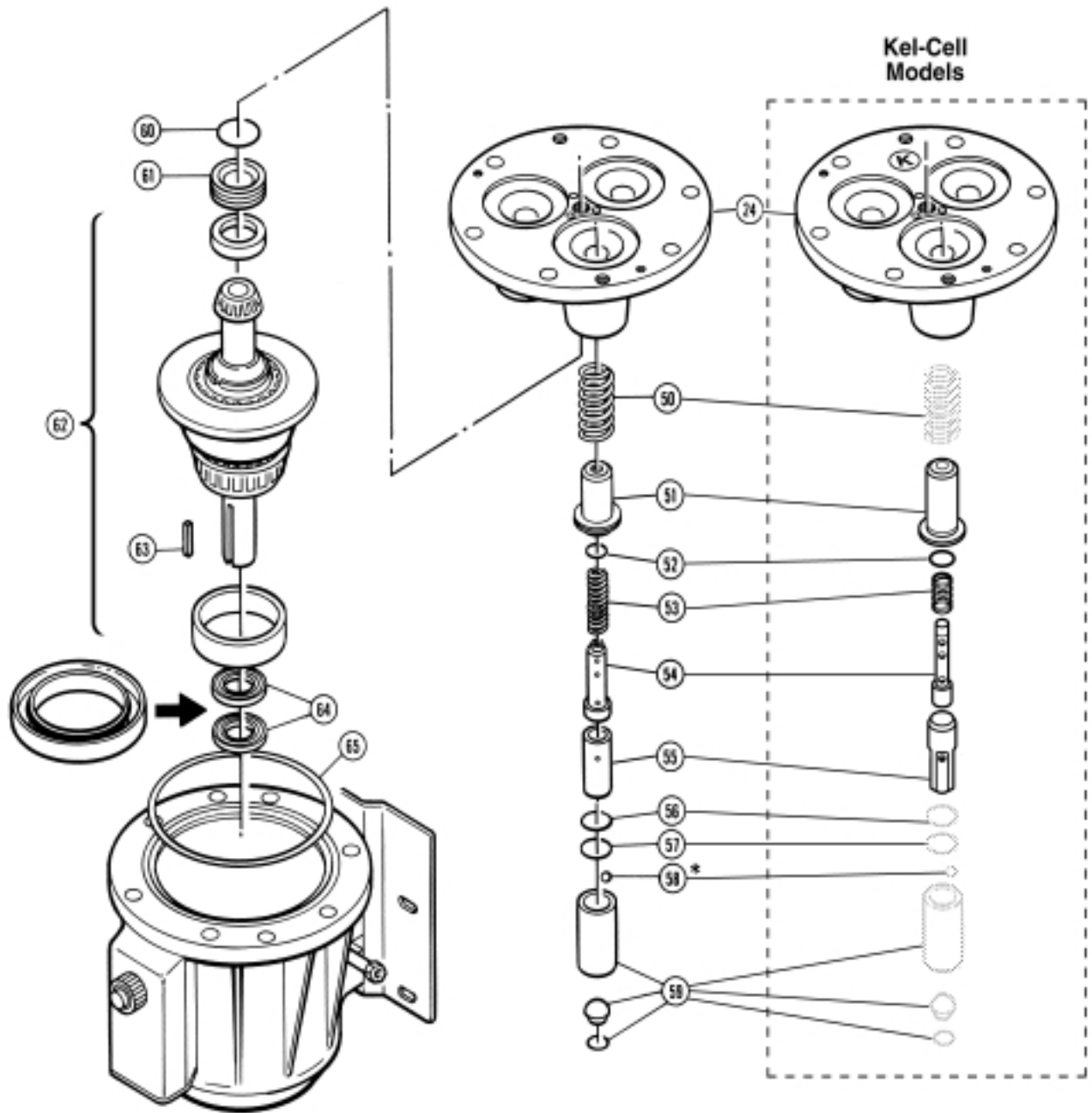
¹ Cylinder Housing Assembly includes casting (24), bearing cup, adjusting plate (61), O-ring (60), and set screws (22).

² Parts used in Kel-Cell version pump.

³ Pump housing includes housing (30), cover (45), gasket (44), and screws (46).

⁴ Pump Housing Assembly includes housing (30), drain plug (32, 33, 34), bearing cup, cover (45), gasket (44), and screws (46).

G-10-SD Hydraulic End



*Qty per piston: 4

G-10-SD Hydraulic End

Ref #	Part Number	Description	Quantity/ Pump
50	D10-019-3110	Spring, piston return	3
51	D10-042-1010	Retainer, spring	3
	K10-042-1010	Retainer, spring, Kel-Cell ⁵	3
52	D10-046-2110	O-ring, valve cylinder, Buna	3
	C23-009-2110	O-ring, valve cylinder, Buna, Kel-Cell ⁵	3
53	D10-045-3110	Spring, sleeve valve	3
	D10-045-3111	Spring, sleeve valve, Teflon diaphragm	3
	K10-045-3110	Spring, sleeve valve, Kel-Cell ⁵	3
54	D10-044-1010	Valve Plunger	3
	K10-044-1010	Valve Plunger, Kel-Cell ⁵	3
55	D10-043-1010	Cylinder, valve	3
	K10-043-1010	Cylinder, valve, Kel-Cell ⁵	3
56	D10-034-2110	O-ring, Buna	3
57	D10-041-1010	Washer, ball retainer	3
58	D10-015-3010	Ball	12
59	D10-014-1209	Piston, with foot and retainer	3
	D10-014-1210	Piston Assembly, Buna ⁶	—
	K10-014-1210	Piston Assembly, Buna, Kel-Cell ^{5,6} ...	—
60	D10-075-2110	O-ring, bearing adjusting plate, Buna	1
61	D10-012-1010	Bearing Adjusting Plate	1

Ref #	Part Number	Description	Quantity/ Pump
62	D10-007-1210	(X) Cam Assembly, 29.0 lpm @ 1450 rpm ⁷	—
	D10-007-1211	(I) Cam Assembly, 12.5 lpm @ 1450 rpm ⁷	—
	D10-007-1212	(S) Cam Assembly, 18.9 lpm @ 1450 rpm ⁷	—
	D10-007-1214	(E) Cam Assembly, 25.2 lpm @ 1450 rpm ⁷	—
63	D10-085-2210	Key, shaft	1
64	D10-031-2210	Seal , Buna	2
65	D10-037-2110	O-ring, pump housing, Buna	1
—	D10-111-2401	Label, caution	1
	D10-111-2402	Label, caution	1

⁵ Parts used in Kel-Cell version pumps (Kel-Cell version pumps are indicated by a “K” in the 5th digit of the pump model number).

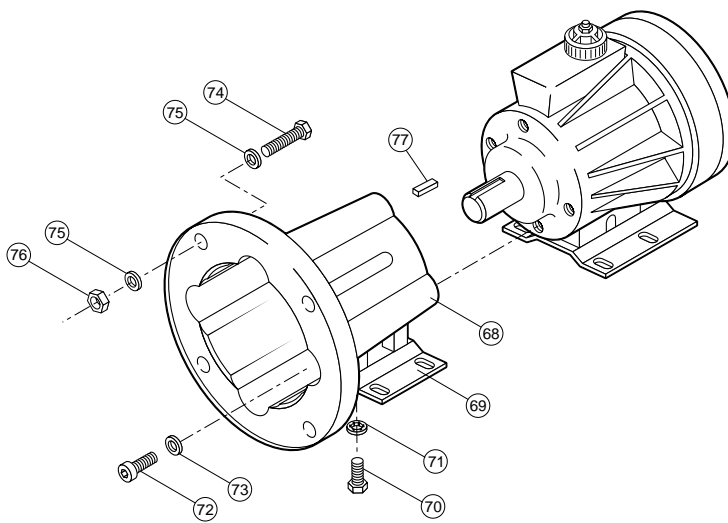
⁶ Piston Assembly includes cylinder, foot, valve plunger, O-rings, spring retainer, and springs (50-59).

⁷ Cam Assembly includes cam, shaft, wobble plate, and bearings. It is only available as an assembly.

G-10 Pump/Motor Adapter Kit

For IEC 80-90 B5 Flange Motors (Complete Kit Part No. A04-003-1200)

For IEC 100-112 B5 Flange Motors (Complete Kit Part No. A04-004-1200)



Ref #	Description	A04-003-1200	A04-004-1200	Qty/Kit
68	Pump/Motor Adapter	A04-031-1001	A04-030-1001	1
69	Adapter Baseplate	A04-025-1010	—	1
70	Cap Screw, Hex-head, 3/8"	D10-029-2010	—	4
71	Lockwasher, Internal tooth, 3/8"	D10-054-2010	—	4
72	Cap Screw, Socket-head	G35-029-2010 M10	G35-029-2010 M10	4
73	Lockwasher, Split	G25-048-2011 M10	G25-048-2011 M10	4
74	Cap Screw, Hex-head,	A04-046-2010 M10	A04-043-2010 M12	4
75	Lockwasher, Split	A04-044-2010 M10	M10-111-2000 1/2"	8
76	Hex Nut	A04-047-2010 M10	A04-045-2010 M12	4
77	Short Key	A04-085-2210	A04-085-2210	1

G-10-SD Series Replacement Parts Kits

TO ORDER REPLACEMENT PARTS KIT: A Replacement Parts Kit contains 11 digits corresponding to customer-specified design options.

1	2	3	4	5	6	7	8	9	10	11
---	---	---	---	---	---	---	---	---	----	----

Digit	Order Code	Description
1-3		Pump Configuration
	G10	For all G-10-SD Pumps
4		Kit Designator
	K	Complete Fluid End Kit
	D	Diaphragm Kit
	V	Valve Kit (diaphragm not included)
	W	Spring & Seal Kit (diaphragm not included)
5-6		Pump Head Version
	56	SD Pump Head Version
7		Diaphragm & O-ring Material
	E	EPDM
	G	Viton®-XT
	P	Neoprene
	T	Buna-N-XS
8		Valve Seat Material
	R	Urethane & Stainless Steel
	X	Not included in Diaphragm Kit
9		Valve Material
	C	Ceramic
	X	Not included in Diaphragm Kit or Spring & Seal Kit
10		Valve Springs
	E	Elgiloy®
	X	Not included in Diaphragm Kit
11		Valve Spring Retainers
	C	Celcon
	X	Not included in Diaphragm Kit

Kit Contents

Part Number*	Description	Qty	Kit Designator			
			K	D	V	W
D10-018-___	Diaphragm	3	•	•		
D10-047-___	O-ring, follower	3	•	•		
D10-109-___	O-ring, outer manifold	1	•	•	•	•
D10-073-___	O-ring, inner manifold	1	•	•	•	•
D10-083-___	O-ring, center manifold	1	•	•	•	•
D10-135-2310	Valve seat, polyurethane	6	•		•	•
D10-035-___	O-ring, valve seat	6	•		•	•
D10-020-1020	Holder, valve seat	6	•		•	
D10-021-3300	Valve, ceramic	6	•		•	
D10-022-3125	Valve spring, Elgiloy (slurry)	6	•		•	•
D10-137-1010	Spacer	6	•		•	
D10-023-2330	Retainer, valve spring (slurry)	6	•		•	•
D10-140-2310	Washer, polyurethane	6	•		•	•
D10-141-2310	Washer, polyurethane	6	•		•	•
D10-136-1010	Shell	6	•		•	
D10-137-1010	Spacer	6	•		•	
D10-138-1010	Spacer	6	•		•	
D10-139-1010	Crush seal	6	•		•	•
A01-113-3400	Threadlocker	1	•	•		

* Last four digits of part numbers with - ___ refer to specific material of construction.



WANNER ENGINEERING, INC.

1204 Chestnut Avenue, Minneapolis, MN 55403
 TEL: (612) 332-5681 FAX: (612) 332-6937
 TOLL-FREE FAX [US only]: (800) 332-6812

www.hydra-cell.com
 email: sales@wannereng.com